



DEPARTMENT OF REGULATORY AND ECONOMIC RESOURCES (RER)
BOARD AND CODE ADMINISTRATION DIVISION

NOTICE OF ACCEPTANCE (NOA)

MIAMI-DADE COUNTY
PRODUCT CONTROL SECTION
11805 SW 26 Street, Room 208
Miami, Florida 33175-2474
T (786) 315-2590 F (786) 315-2599
www.miamidade.gov/economy

Amerimax Home Products, Inc.
303 Research Drive
Norcross, GA 30092

SCOPE:

This NOA is being issued under the applicable rules and regulations governing the use of construction materials. The documentation submitted has been reviewed and accepted by Miami-Dade County RER-Product Control Section to be used in Miami Dade County and other areas where allowed by the Authority Having Jurisdiction (AHJ).

This NOA shall not be valid after the expiration date stated below. The Miami-Dade County Product Control Section (In Miami Dade County) and/or the AHJ (in areas other than Miami Dade County) reserve the right to have this product or material tested for quality assurance purposes. If this product or material fails to perform in the accepted manner, the manufacturer will incur the expense of such testing and the AHJ may immediately revoke, modify, or suspend the use of such product or material within their jurisdiction. RER reserves the right to revoke this acceptance, if it is determined by Miami-Dade County Product Control Section that this product or material fails to meet the requirements of the applicable building code.

This product is approved as described herein, and has been designed to comply with the Florida Building Code, including the High Velocity Hurricane Zone.

DESCRIPTION: Standard V and Standard Perforated V Aluminum Soffit Panels

APPROVAL DOCUMENT: Drawing No. S-4110, titled "Standard V & Perforated V Aluminum Soffit Panels" sheets 1 through 4 of 4, dated 09/16/2013, prepared by R.W. Building Consultants, Inc., signed and sealed by Lyndon F. Schmidt, P.E. on 07/10/2017, bearing the Miami-Dade County Product Control revision stamp with the Notice of Acceptance number and expiration date by the Miami-Dade County Product Control Section.

MISSILE IMPACT RATING: None.

LABELING: Each piece shall be permanently marked at not more than 4' o.c. with a number or marking and the packaging shall include the manufacturer's name or logo, Lancaster, PA, model number or name, Miami-Dade County NOA number, test standards and net free area per FBC 1709.10.2 and 1709.10.3.

RENEWAL of this NOA shall be considered after a renewal application has been filed and there has been no change in the applicable building code negatively affecting the performance of this product.

TERMINATION of this NOA will occur after the expiration date or if there has been a revision or change in the materials, use, and/or manufacture of the product or process. Misuse of this NOA as an endorsement of any product, for sales, advertising or any other purposes shall automatically terminate this NOA. Failure to comply with any section of this NOA shall be cause for termination and removal of NOA.

ADVERTISEMENT: The NOA number preceded by the words Miami-Dade County, Florida, and followed by the expiration date may be displayed in advertising literature. If any portion of the NOA is displayed, then it shall be done in its entirety.

INSPECTION: A copy of this entire NOA shall be provided to the user by the manufacturer or its distributors and shall be available for inspection at the job site at the request of the Building Official.

This NOA revises NOA # 16-0706.17 and consists of this page 1 and evidence page E-1, as well as approval document mentioned above.

The submitted documentation was reviewed by **Carlos M. Utrera, P.E.**

*Call
8/15/17*

NOA No. 17-0626.07
Expiration Date:
Approval Date:
Page 1

NOTICE OF ACCEPTANCE: EVIDENCE SUBMITTED

A. DRAWINGS

1. Drawing No. **S-4110**, titled "Standard V & Perforated V Aluminum Soffit Panels" sheets 1 through 4 of 4, dated 09/16/2013, prepared by R.W. Building Consultants, Inc., signed and sealed by Lyndon F. Schmidt, P.E. on 07/10/2017.

B. TESTS

1. Test report on Wind Driven Rain Resistance per TAS 100(A)-95 of perforated V aluminum soffit panels, prepared by Intertek/ATI, Test Report No. **G9146.01-109-18**, dated 05/01/2017, signed and sealed by Joseph A. Reed, P.E.

"Submitted under NOA # 06-0119.07"

2. Test reports on 1) Uniform Static Air Pressure Test, Loading per FBC TAS 202-94
2) Cyclic Wind Pressure Loading per FBC, TAS 203-94
along with marked-up drawings and installation diagram of Solid and Perforated Aluminum Soffit, prepared by Testing Evaluation Laboratories, Inc., Test Report No. **TEL-05-1116-1**, dated 11/16/2005, signed and sealed by Wendell W. Haney, P.E.
3. Test reports on Cyclic Wind Pressure Loading per FBC, TAS 203-94
along with marked-up drawings and installation diagram of Solid and Perforated Aluminum Soffit, prepared by Testing Evaluation Laboratories, Inc., Test Report No. **TEL-06-0523-1**, date 05/23/2006, signed and sealed by Wendell W. Haney, P.E.

C. CALCULATIONS *"Submitted under NOA # 13-0924.08"*

1. Anchor verification calculations, prepared by R.W. Building Consultants, Inc., complying with Florida Building Code, dated 09/25/2013, signed and sealed by Lyndon F. Schmidt, P.E.

"Submitted under NOA # 06-0119.07"

2. Anchor verification calculations, prepared by R.W. Building Consultants, Inc., complying with Florida Building Code, dated 08/31/07, signed and sealed by Lyndon F. Schmidt, P.E.

D. QUALITY ASSURANCE

1. Miami-Dade Department of Regulatory and Economic Resources (RER)

E. MATERIAL CERTIFICATIONS

1. None.

F. STATEMENTS

1. Drawing No. **S-4110** statement of code conformance to the 6th Edition (2017) FBC issued by R.W. Building Consultants, Inc., dated 09/16/2013, signed and sealed by Lyndon F. Schmidt, P.E. on 07/10/2017.

"Submitted under NOA # 16-0706.17"

2. Statement letter of code conformance to the 5th edition (2014) FBC and of no financial interest issued by R.W. Building Consultants, Inc., dated 06/29/2016, signed and sealed by Lyndon F. Schmidt, P.E.

CMU
8/15/17

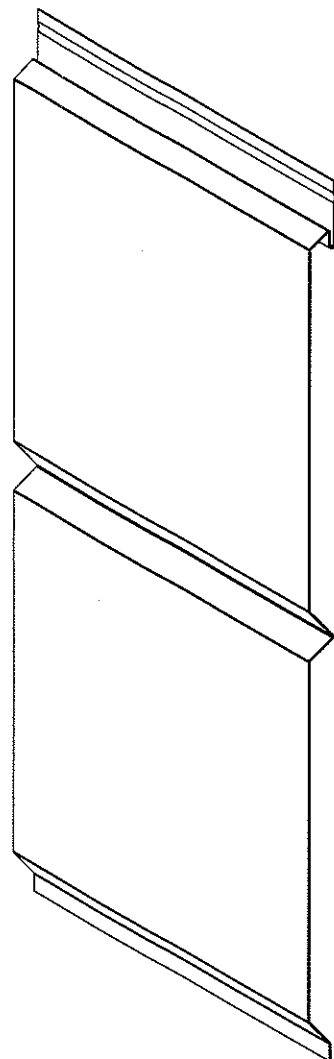
Carlos M. Utrera, P.E.
Product Control Examiner
NOA No. 17-0626.07
Expiration Date:
Approval Date:



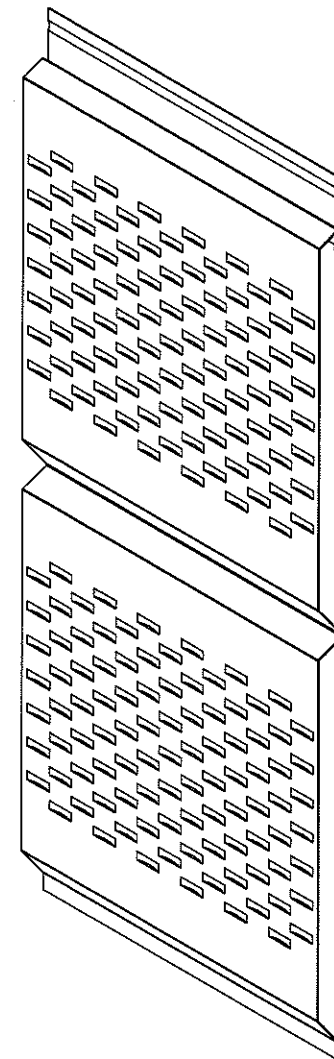
HOME PRODUCTS, INC.

450 RICHARDSON DRIVE, LANCASTER, PA 17604
PHONE: 717-228-3714

STANDARD V PANEL & STANDARD PERFORATED V PANEL ALUMINUM SOFFIT



ALUM. 3105-H25
12" STANDARD V PANEL
(MAX 24" SPAN)



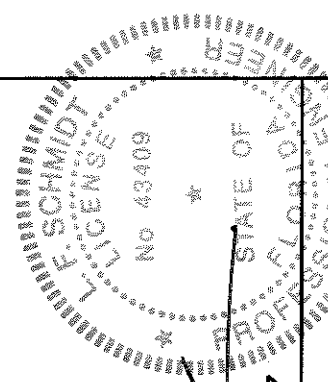
ALUM. 3105-H25
12" STANDARD PERFORATED V PANEL
NET FREE AREA = 11.23 in²/ft.
(MAX 24" SPAN)

GENERAL NOTES

1. THIS PRODUCT HAS BEEN EVALUATED AND IS IN COMPLIANCE WITH THE 6TH EDITION (2017) FLORIDA BUILDING CODE INCLUDING THE "HIGH VELOCITY HURRICANE ZONE".
2. PRODUCT ANCHORS SHALL BE AS LISTED AND SPACED AS SHOWN ON DETAILS. ANCHOR EMBEDMENT TO BASE MATERIAL SHALL BE BEYOND WALL DRESSING OR STUCCO.
3. CONDITIONS NOT COVERED BY THIS DRAWING ARE SUBJECT TO FURTHER ENGINEERING ANALYSIS, WITH A REVISION TO THIS NOA.
4. FOR DESIGN PRESSURE RATING SEE CHART THIS SHEET.
5. WOOD/CBS WALL CONSTRUCTION BY OTHERS, MUST BE DESIGNED PROPERLY TO RECEIVE LOADS FROM THE SOFFIT AND/OR 2" X 2" BATTEN STRIPS.

TABLE OF CONTENTS	
SHEET #	DESCRIPTION
1	TYPICAL ELEVATION, DESIGN PRESSURES & GENERAL NOTES
2	TYPICAL ANCHORING DETAILS & SOFFIT DETAILS
3	TYPICAL ANCHORING DETAILS & SOFFIT DETAILS
4	BILL OF MATERIALS & COMPONENTS

DESIGN PRESSURE RATING	
SOFFIT MODEL	DESIGN PRESSURE RATING
12" STANDARD V PANEL SOFFIT	+ 50.0 psf - 50.0 psf
12" STANDARD PERFORATED V PANEL SOFFIT	+ 50.0 psf - 50.0 psf



LFS
7.10.17

Documents Prepared By:
RW

BUILDING CONSULTANTS, INC.
P.O. Box 230 Valrico FL 33595
Phone No.: 813.659.9197
Florida Board of Professional Engineers
Certificate of Authorization No. 9813

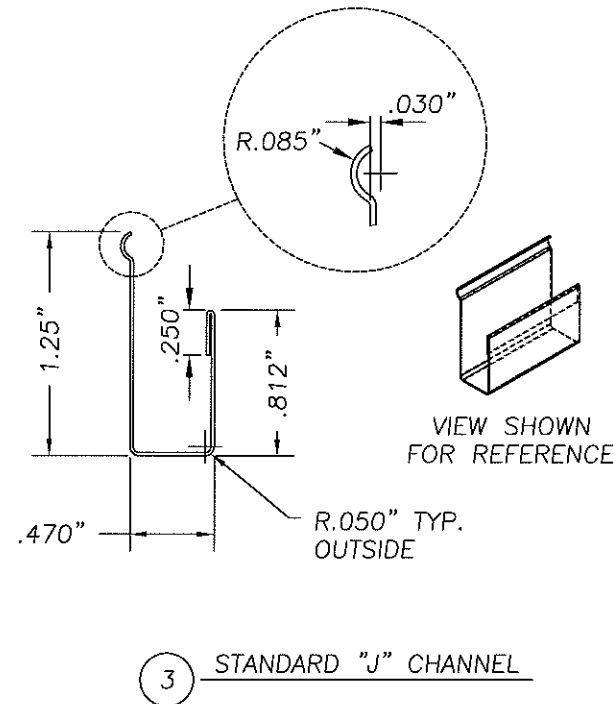
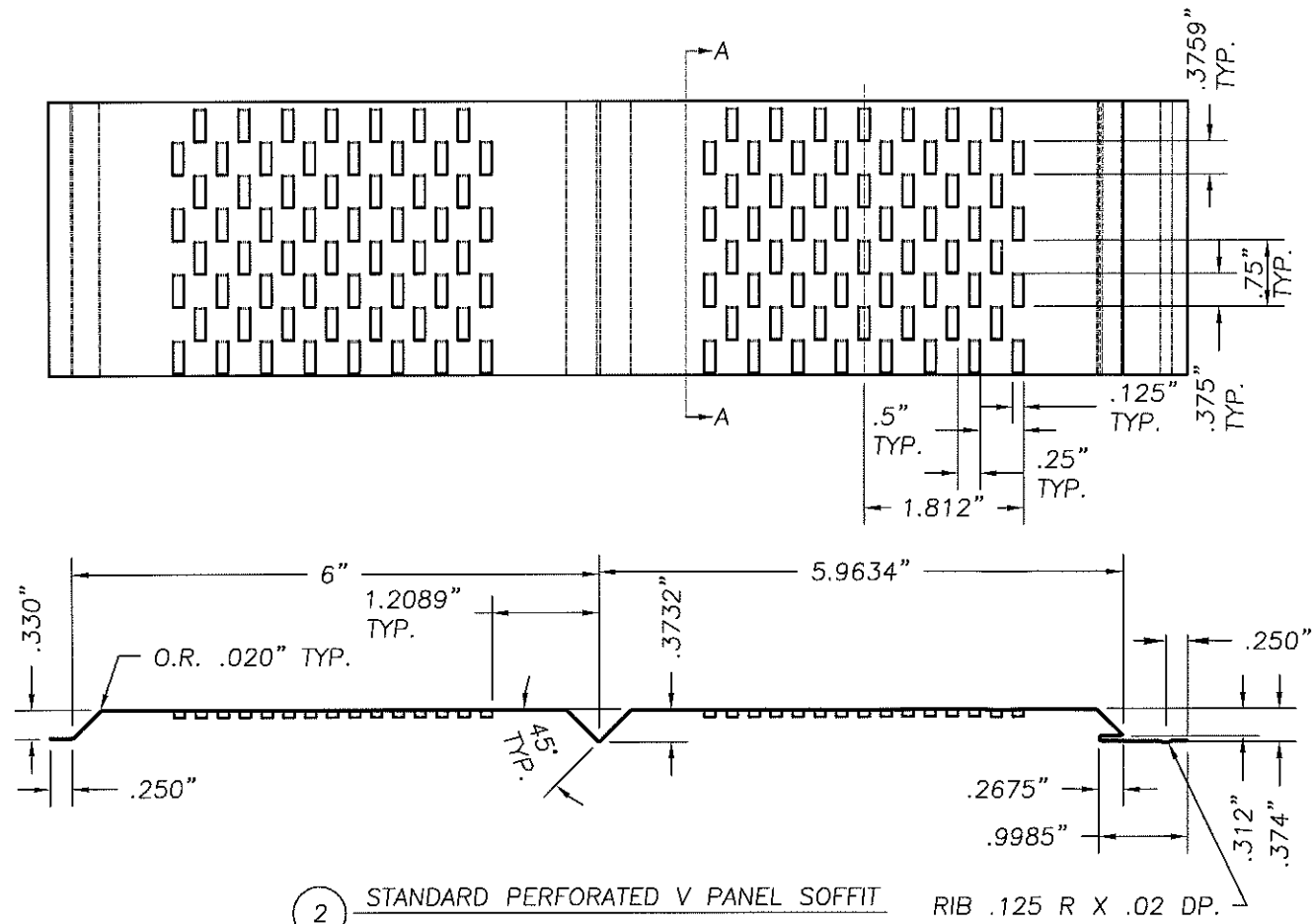
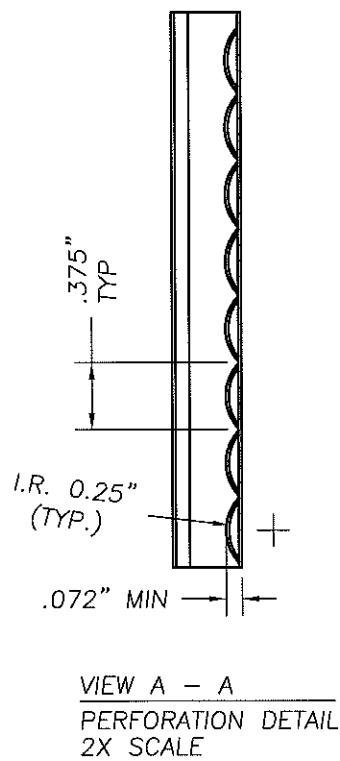
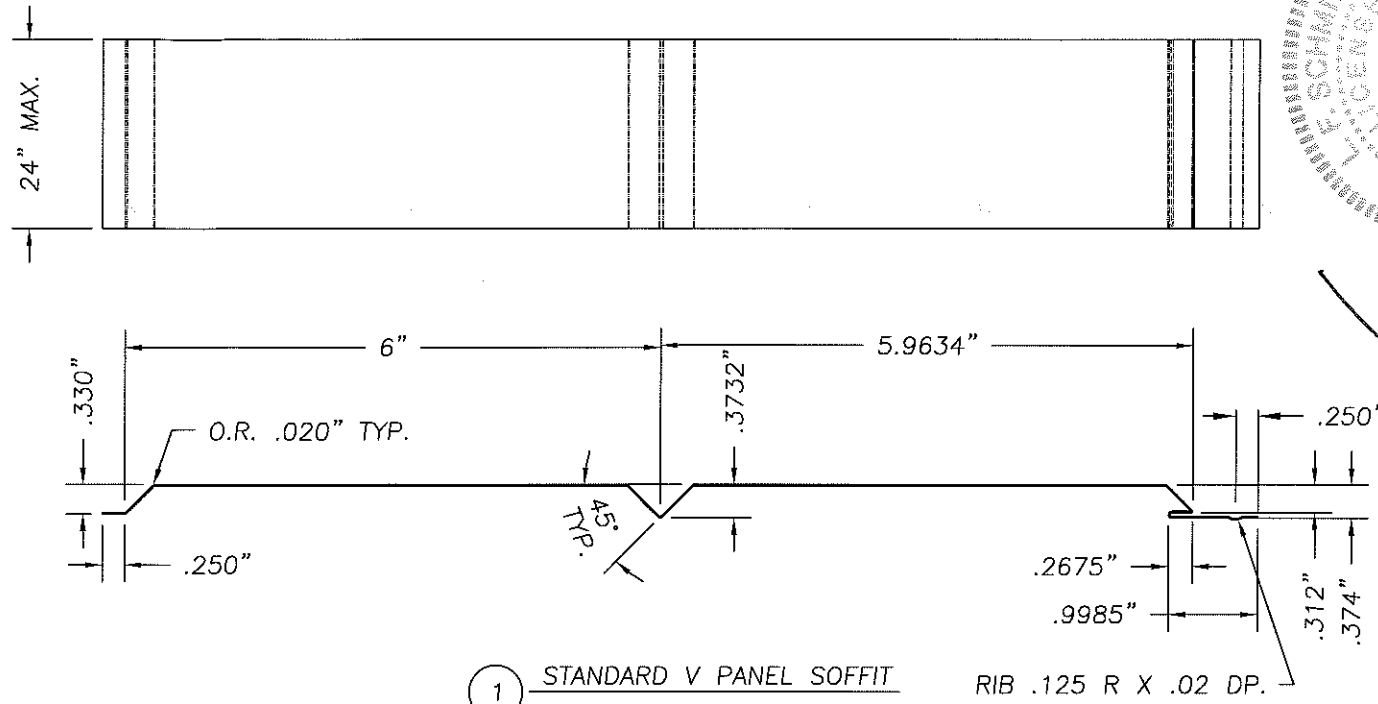
Lyndon F. Schmidt, P.E. No. 43409

PRODUCT:
AMERIMAX HOME PRODUCTS INC.
STD. V PANEL & PERFORATED V
PANEL ALUMINUM SOFFIT PANEL
PART OR ASSEMBLY:
TYPICAL ELEVATION, DESIGN
PRESSURES & GENERAL NOTES

NO.	DATE	BY	REVISIONS

DATE: 9/16/13
SCALE: N.T.S.
DWG. BY: JK
CHK. BY: LFS
DRAWING NO.: S-4110
SHEET 1 OF 4

ITEM	DESCRIPTION	MATERIAL
1	STANDARD V PANEL SOFFIT (0.017" THK. ALUMINUM 3105 H25)	ALUMINUM
2	STANDARD PERFORATED V PANEL SOFFIT (0.017" THK. ALUMINUM 3105 H25)	ALUMINUM
3	STANDARD "J" CHANNEL (0.0175" THK. ALUMINUM)	ALUMINUM
4	11GA. x 1" LONG ROOFING NAIL WITH 7/16" DIA. HEAD	STEEL
5	#8 x 1" PPH SMS	STEEL
6	2" x 2" BATTEN STRIP SOUTHERN YELLOW PINE (SG = 0.55 OR BETTER)	WOOD
7	10d NAIL (3" LONG)	STEEL
8	#8 x 2-1/2" PFH WOOD SCREW	STEEL
9	3/16" x 2-3/4" ELCO ULTRACON; EMBEDMENT = 1.25" MIN., EDGE DISTANCE = 1" MIN., CENTERLINE TO ADJACENT ANCHORS = 6" MIN.	STEEL



Documents Prepared By: *LFS*
 7.10.17
R.W. SCHMIDT CONSULTANTS, INC.
 P.O. Box 230 Valrico, FL 33595
 Phone No.: 813.659.9197
 Florida Board of Professional Engineers
 Certificate Of Authorization No. 9813

PRODUCT: AMERIMAX HOM PRODUCTS INC.
 STD. V PANEL & PERFORATED V
 PANEL ALUMINUM SOFFIT
 PART OR ASSEMBLY: BILL OF MATERIALS &
 COMPONENTS

NO.	DATE	BY	REVISIONS

DATE: 9/16/13
 SCALE: N.T.S.
 DWG. BY: JK
 CHK. BY: LFS
 DRAWING NO.: S-4110
 SHEET 4 OF 4