



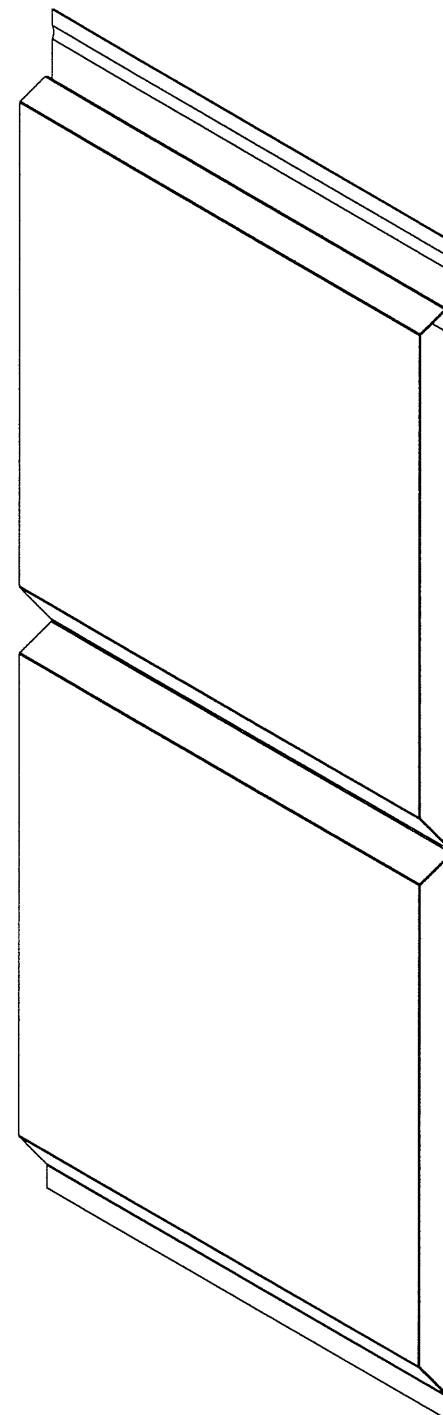
# HOME PRODUCTS, INC.

450 RICHARDSON DRIVE LANCASTER, PA 17604  
PHONE: 717-228-3714

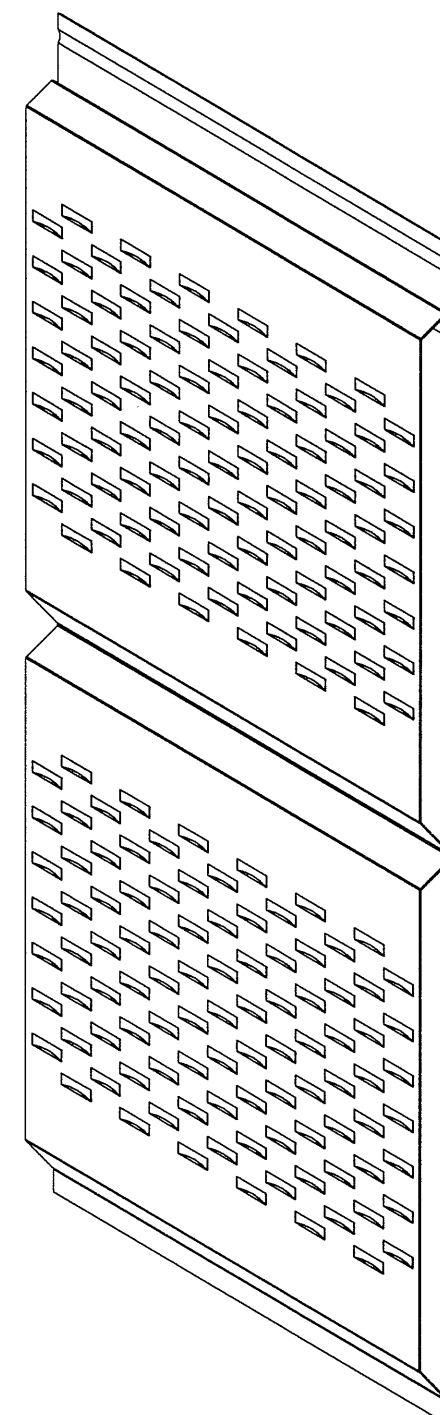
## STANDARD V PANEL & STANDARD PERFORATED V PANEL ALUMINUM SOFFIT

### GENERAL NOTES

1. THIS PRODUCT HAS BEEN EVALUATED AND IS IN COMPLIANCE WITH THE FLORIDA BUILDING CODE EXCLUDING THE "HIGH VELOCITY HURRICANE ZONE".
2. PRODUCT ANCHORS SHALL BE AS LISTED AND SPACED AS SHOWN ON DETAILS. ANCHOR EMBEDMENT TO BASE MATERIAL SHALL BE BEYOND WALL DRESSING OR STUCCO.
3. CONDITIONS NOT COVERED BY THIS DRAWING ARE SUBJECT TO FURTHER ENGINEERING ANALYSIS.
4. WOOD/CBS WALL CONSTRUCTION BY OTHERS, MUST BE DESIGNED PROPERLY TO RECEIVE LOADS FROM THE SOFFIT AND/OR 2" X 2" BATTEN STRIPS.



12" STANDARD V PANEL  
(MAX 24" SPAN)



12" STANDARD PERFORATED V PANEL  
(MAX 24" SPAN)

TABLE OF CONTENTS	
SHEET #	DESCRIPTION
1	TYPICAL ELEVATION, DESIGN PRESSURES & GENERAL NOTES
2	INSTALLATION CROSS SECTION OF BATTEN STRIPS
3	TYPICAL ANCHORING DETAILS & SOFFIT DETAILS
4	TYPICAL ANCHORING DETAILS & SOFFIT DETAILS
5	BILL OF MATERIALS & COMPONENTS

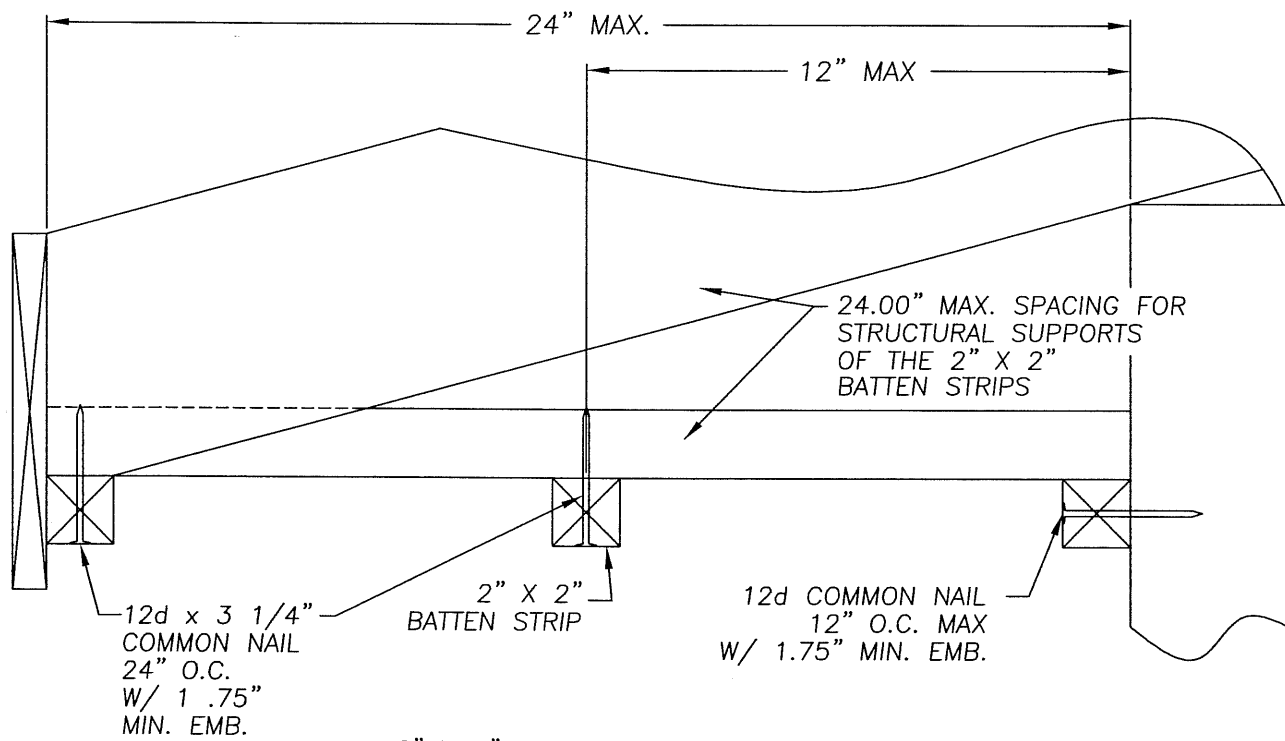
DESIGN PRESSURE RATING INSTALLED OVER AN IMPACT RESISTANT SUBSTRATE	
SOFFIT MODEL	DESIGN PRESSURE RATING
12" STANDARD V PANEL SOFFIT	+ 50.0 psf - 50.0 psf
12" STANDARD PERFORATED V PANEL SOFFIT	+ 50.0 psf - 50.0 psf

Documents Prepared By:  
**RW** BUILDING CONSULTANTS, INC.  
 P.O. Box 230 Valrico FL 33595  
 Phone No.: 813.659.9197  
 Florida Board of Professional Engineers  
 Certificate of Authorization No. 9813  
*Wendell W. Haney* 11-18-05  
 Wendell W. Haney, P.E. NO. 54158

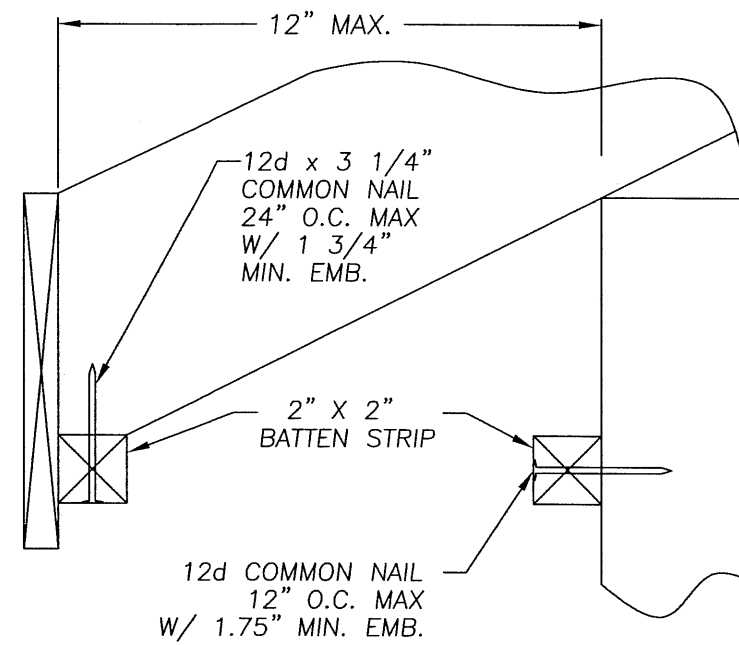
PRODUCT:  
 AMERIMAX HOME PRODUCTS INC.  
 STD. V PANEL & PERFORATED V  
 PANEL ALUMINUM SOFFIT PANEL  
 PART OR ASSEMBLY:  
 TYPICAL ELEVATION, DESIGN  
 PRESSURES & GENERAL NOTES

NO.	DATE	BY	REVISIONS

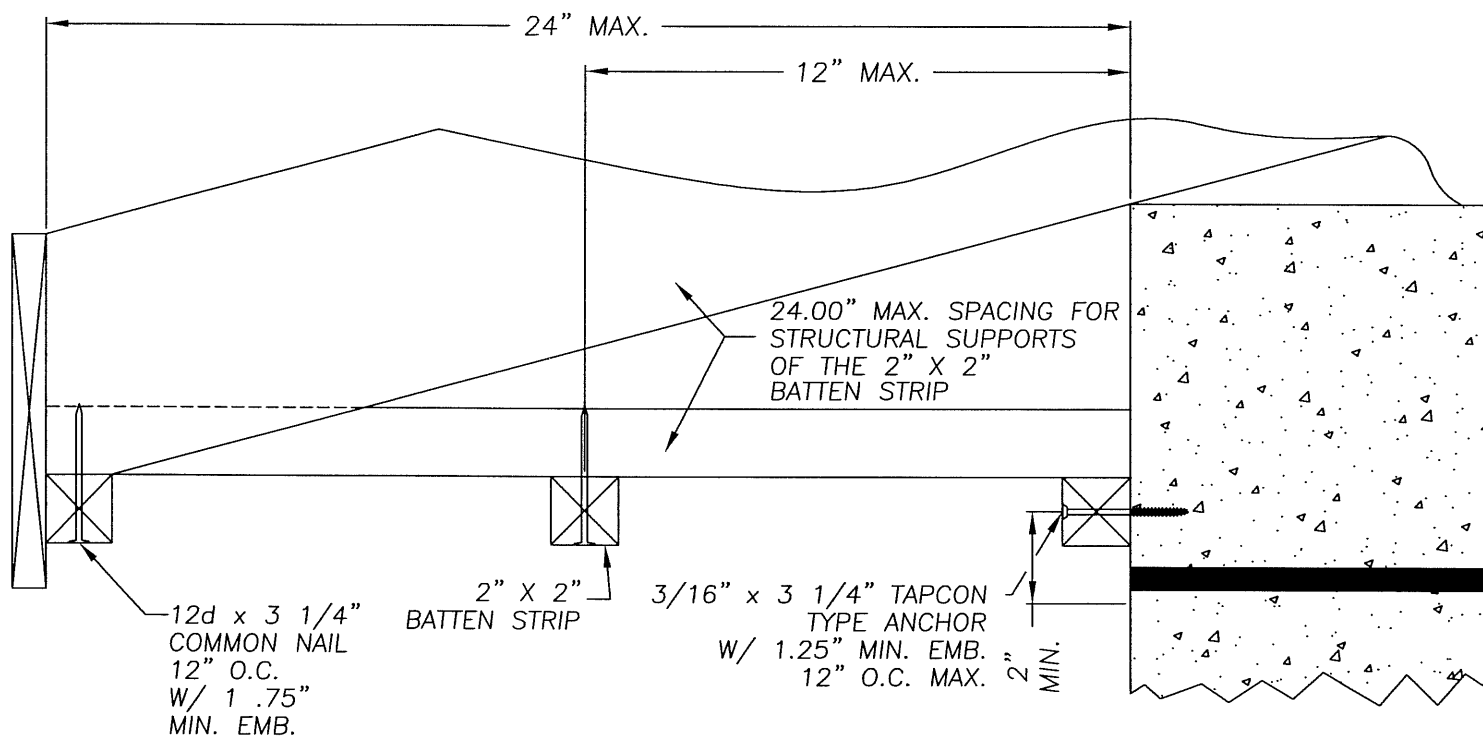
DATE: 11/18/05  
 SCALE: N.T.S.  
 DWG. BY: EW  
 CHK. BY: WWH  
 DRAWING NO.:  
 FL-676  
 SHEET 1 OF 5



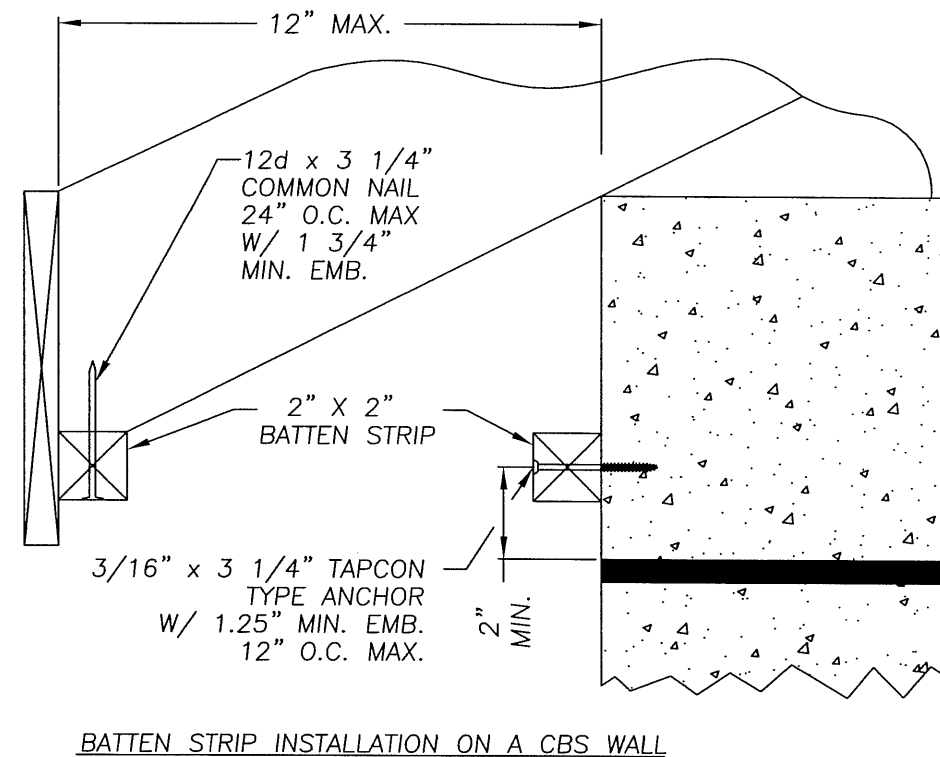
2" X 2" BATTEN STRIP INSTALLATION ON A WOOD WALL



FURRING INSTALLATION ON A WOOD WALL



2" X 2" BATTEN STRIP INSTALLATION ON A CBS WALL



BATTEN STRIP INSTALLATION ON A CBS WALL

Documents Prepared By:

**RW** BUILDING CONSULTANTS, INC.  
P.O. Box 230 Vairico FL 33595  
Phone No.: 813.659.9197  
Florida Board of Professional Engineers  
Certificate Of Authorization No. 9813  
*Wendell W. Hokey* 11-18-05  
Wendell W. Hokey, P.E. NO. 54158

PRODUCT:  
AMERIMAX HOME PRODUCTS INC.  
STD. V PANEL & PERFORATED V  
PANEL ALUMINUM SOFFIT

PART OR ASSEMBLY:  
INSTALLATION CROSS SECTION OF  
BATTEN STRIP

NO.	DATE	BY	REVISIONS

DATE: 11/18/05

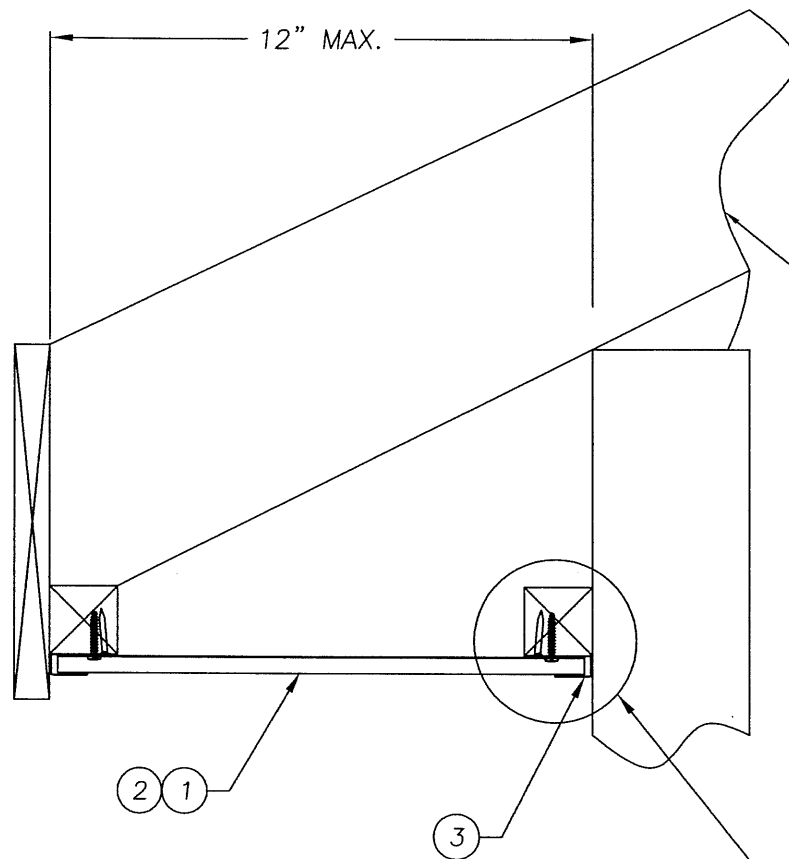
SCALE: N.T.S.

DWG. BY: EW

CHK. BY: WWH

DRAWING NO.:  
FL-676

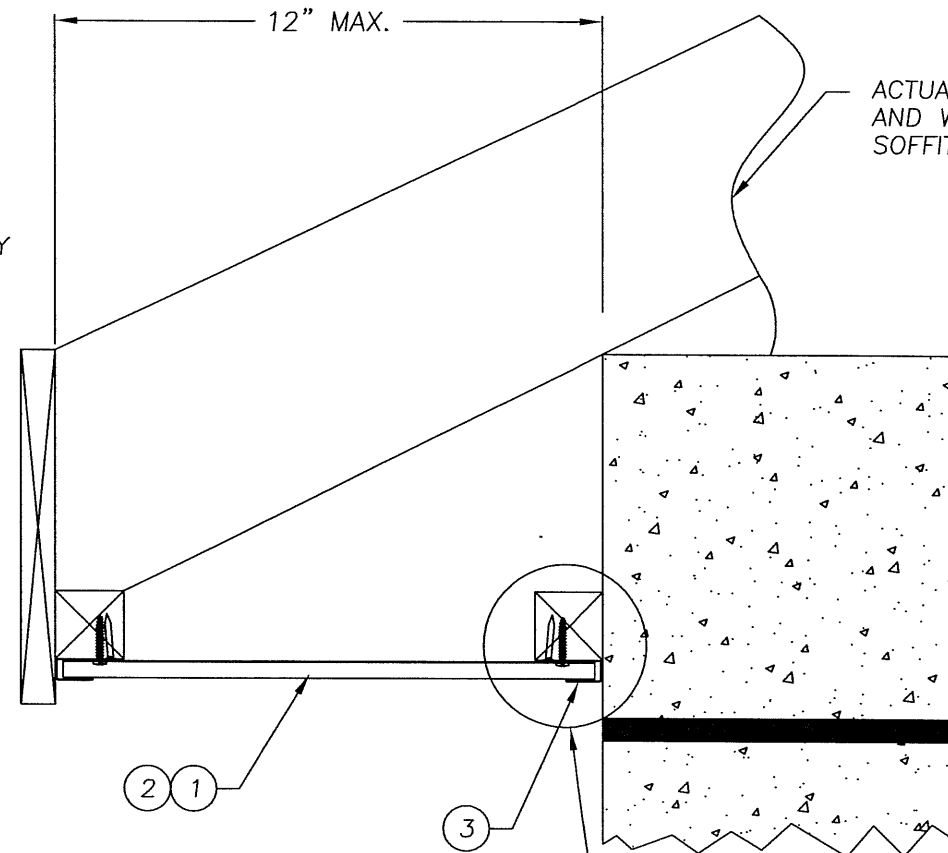
SHEET 2 OF 5



TYP INSTALLATION ON A WOOD WALL  
FOR BATTEN STRIP INSTALLATION  
SEE SHEET 4

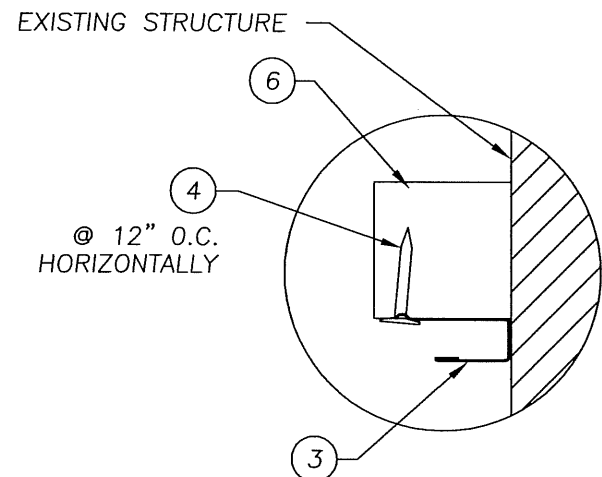
ACTUAL ROOF PITCH MAY VARY  
AND WILL NOT AFFECT  
SOFFIT INSTALLATION

SEE DETAIL "A" FOR  
J CHANNEL INSTALLATION  
SEE DETAIL "B" FOR  
SOFFIT INSTALLATION (TYP.)

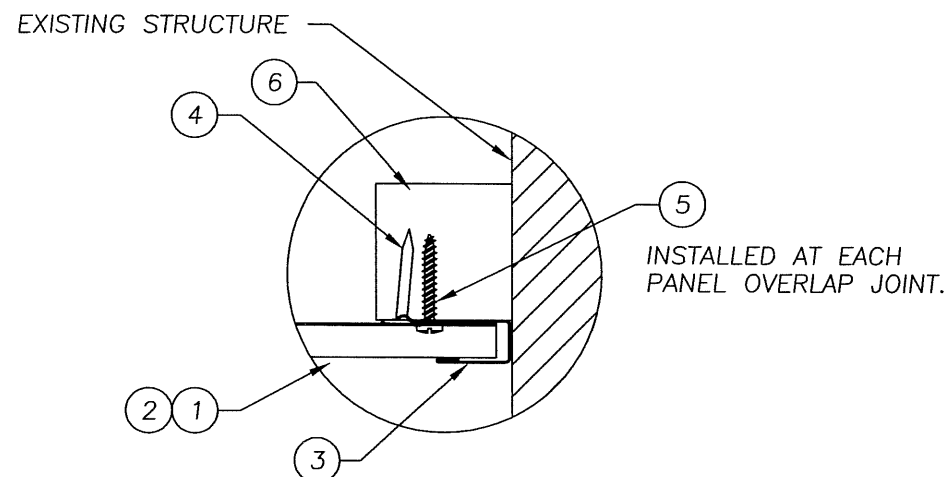


TYP INSTALLATION ON A CBS WALL  
FOR BATTEN STRIP INSTALLATION  
SEE SHEET 4

SEE DETAIL "A" FOR  
J CHANNEL INSTALLATION  
SEE DETAIL "B" FOR  
SOFFIT INSTALLATION (TYP.)



DETAIL "A"  
J CHANNEL INSTALLATION



DETAIL "B"  
SOFFIT INSTALLATION

Documents Prepared By:

**RW** BUILDING CONSULTANTS, INC.  
P.O. Box 230 Valrico FL, 33595  
Phone No.: 813.659.9197  
Florida Board of Professional Engineers  
Certificate of Authorization No. 9813  
*Wendell W. Hayney* 11-18-05  
Wendell W. Hayney, P.E., No. 54158

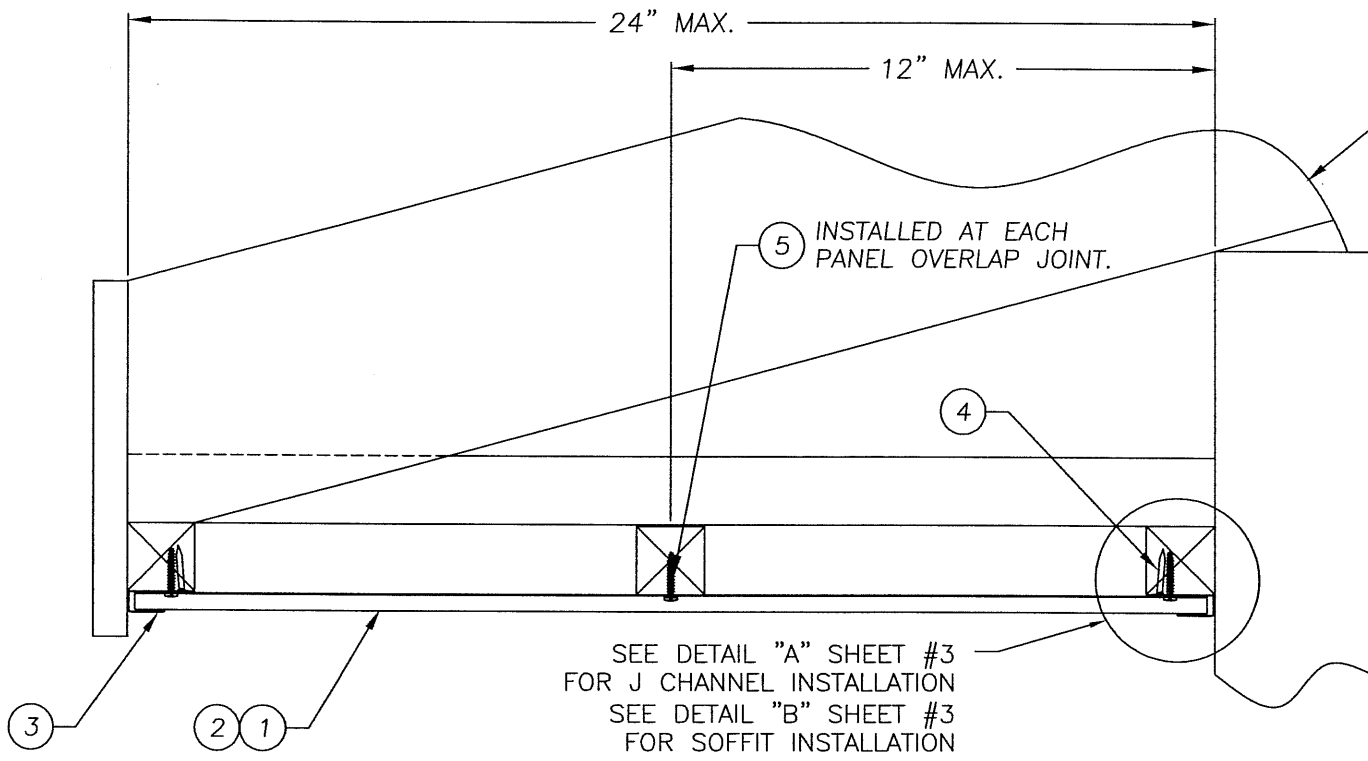
PRODUCT:  
AMERIMAX HOME PRODUCTS INC.  
STD. V PANEL & PERFORATED V  
PANEL ALUMINUM SOFFIT

PART OR ASSEMBLY:  
TYPICAL ANCORING DETAILS  
& SOFFIT DETAILS

NO.	DATE	BY	REVISIONS

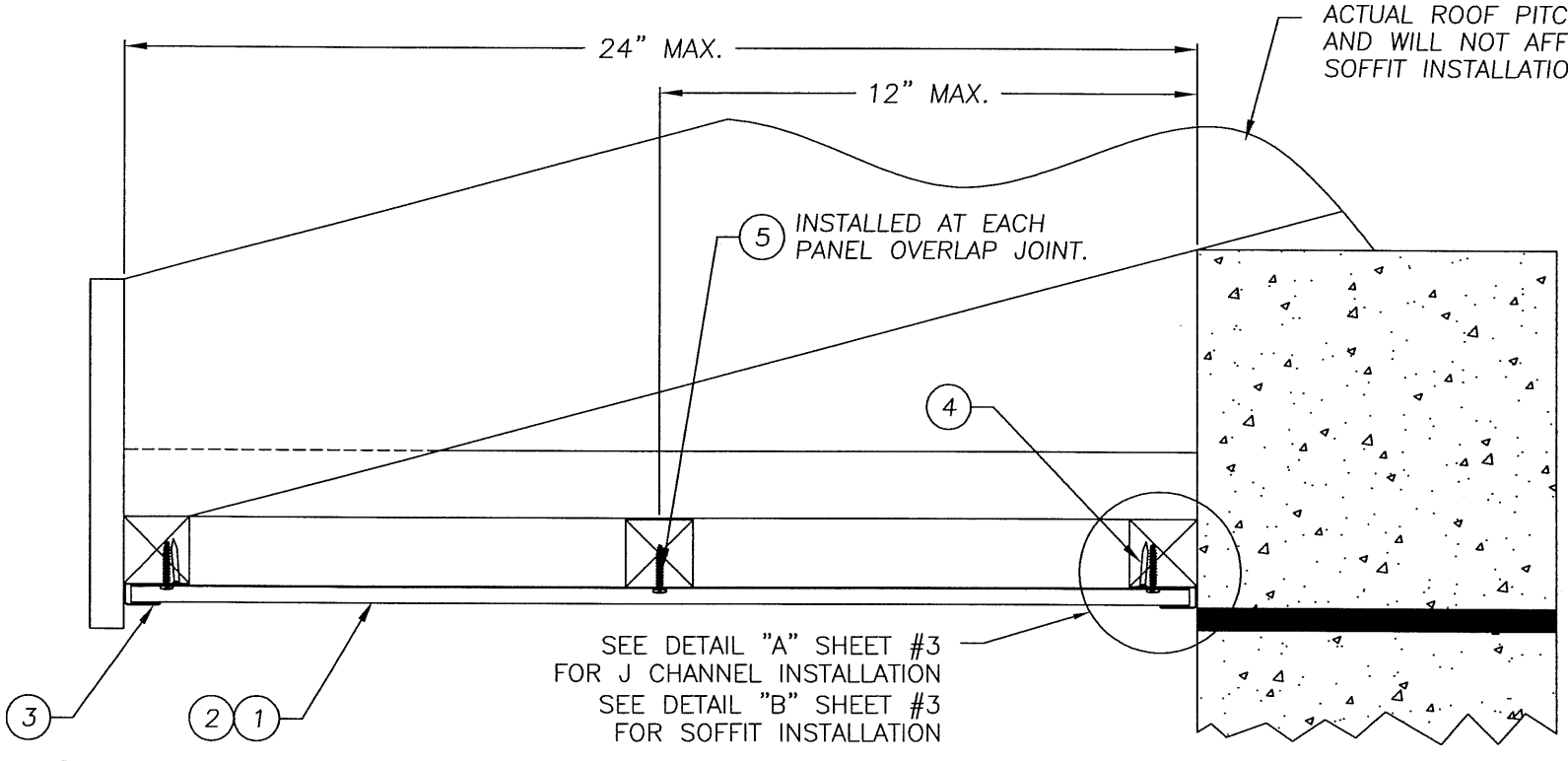
DATE: 11/18/05  
SCALE: N.T.S.  
DWG. BY: EW  
CHK. BY: WWH  
DRAWING NO.:  
FL-676  
SHEET 3 OF 5

I:\pwwbcsrv\rvwbc\Proj 801 - 900\p864\FL-676-3.dwg



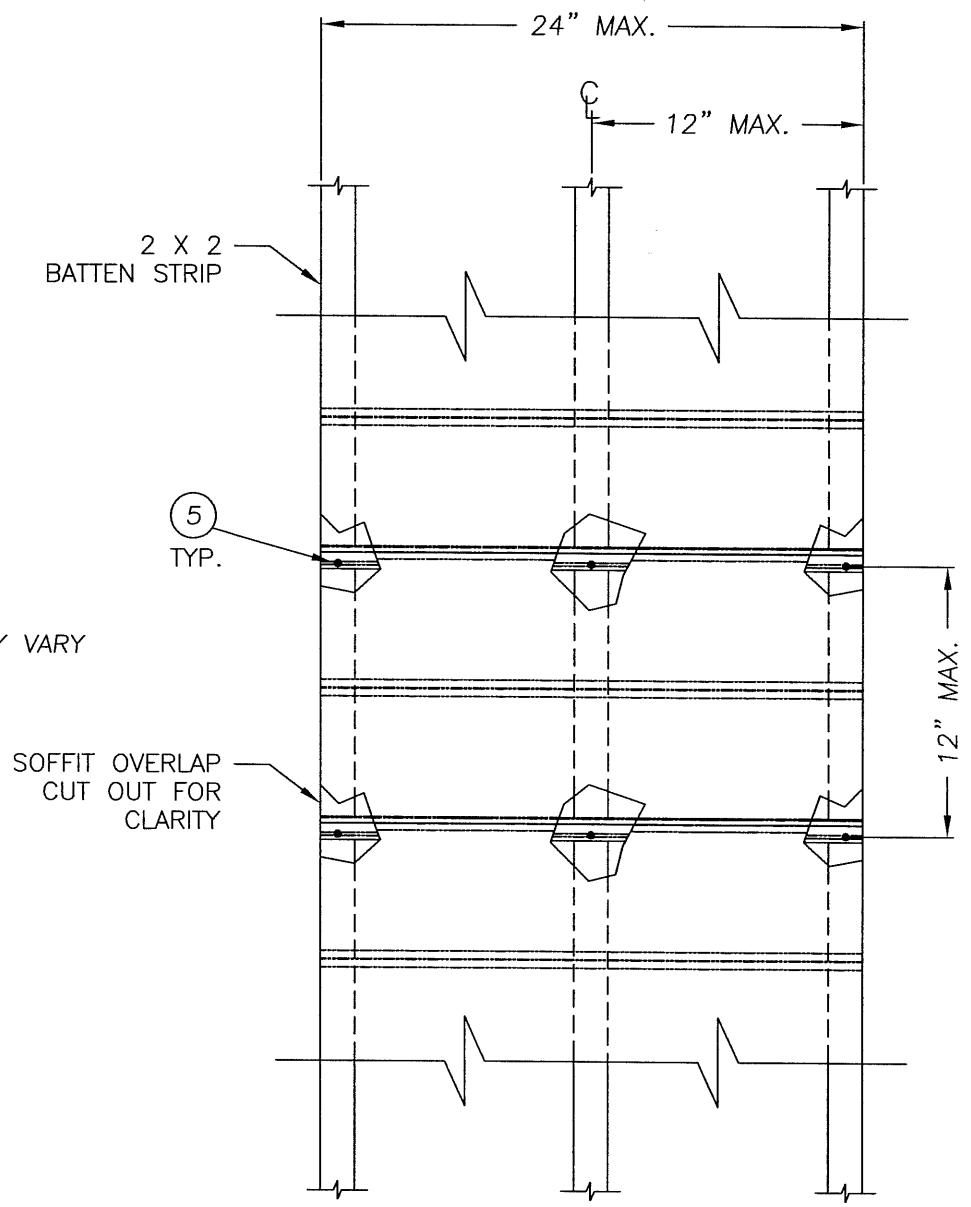
ACTUAL ROOF PITCH MAY VARY  
AND WILL NOT AFFECT  
SOFFIT INSTALLATION

①  
⑤  
TYP. INSTALLATION ON A WOOD WALL  
FOR BATTEN INSTALLATION  
SEE SHEET 2



ACTUAL ROOF PITCH MAY VARY  
AND WILL NOT AFFECT  
SOFFIT INSTALLATION

①  
⑤  
TYP. INSTALLATION ON A CBS WALL  
FOR BATTEN STRIP INSTALLATION  
SEE SHEET 2



① LOOKING UP @ SOFFIT  
⑤ N.T.S.

Documents Prepared By:

**RW** BUILDING CONSULTANTS, INC.  
P.O. Box 230 Valrico FL 33595  
Phone No.: 813.659.9197  
Florida Board of Professional Engineers  
Certificate Of Authorization No. 9813  
*Wendell W. Maney* 11-18-05  
Wendell W. Maney, P.E. NO. 54158

PRODUCT:  
AMERIMAX HOME PRODUCTS INC.  
STD. V PANEL & PERFORATED V  
PANEL ALUMINUM SOFFIT

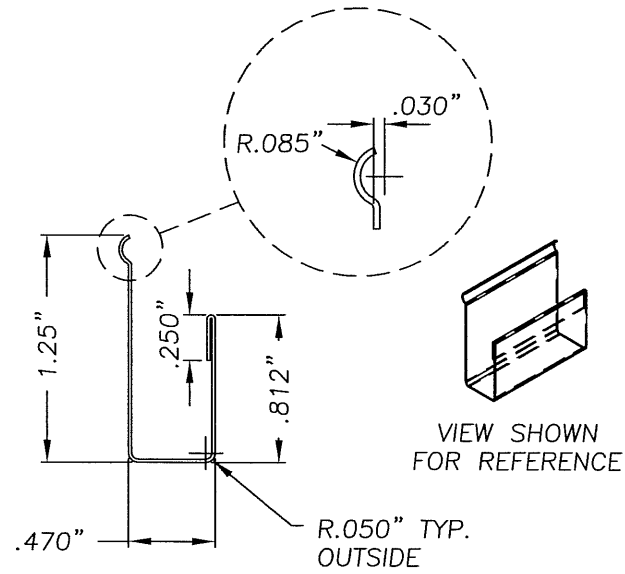
PART OR ASSEMBLY:  
TYPICAL ANCORING DETAILS  
& SOFFIT DETAILS

NO.	DATE	BY	REVISIONS

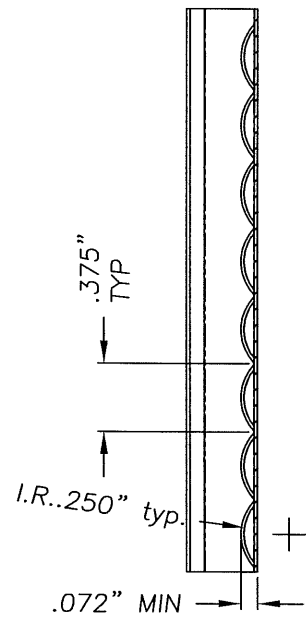
DATE: 11/18/05  
SCALE: N.T.S.  
DWG. BY: EW  
CHK. BY: WWH  
DRAWING NO.: FL-676  
SHEET 4 OF 5

I:\R\wbcsv\rvwbc\Proj 801 - 900\p866A\FL-676-4.dwg

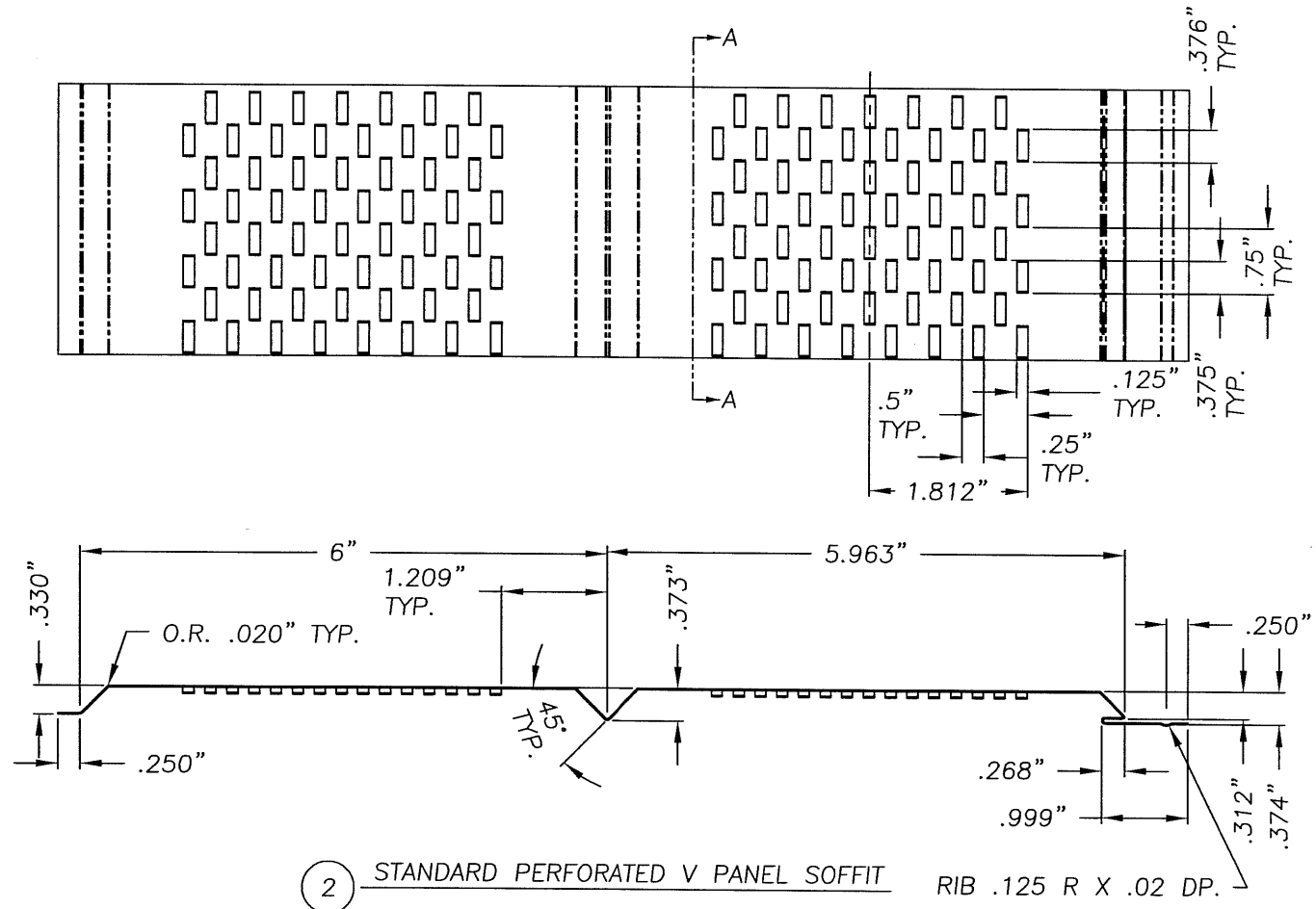
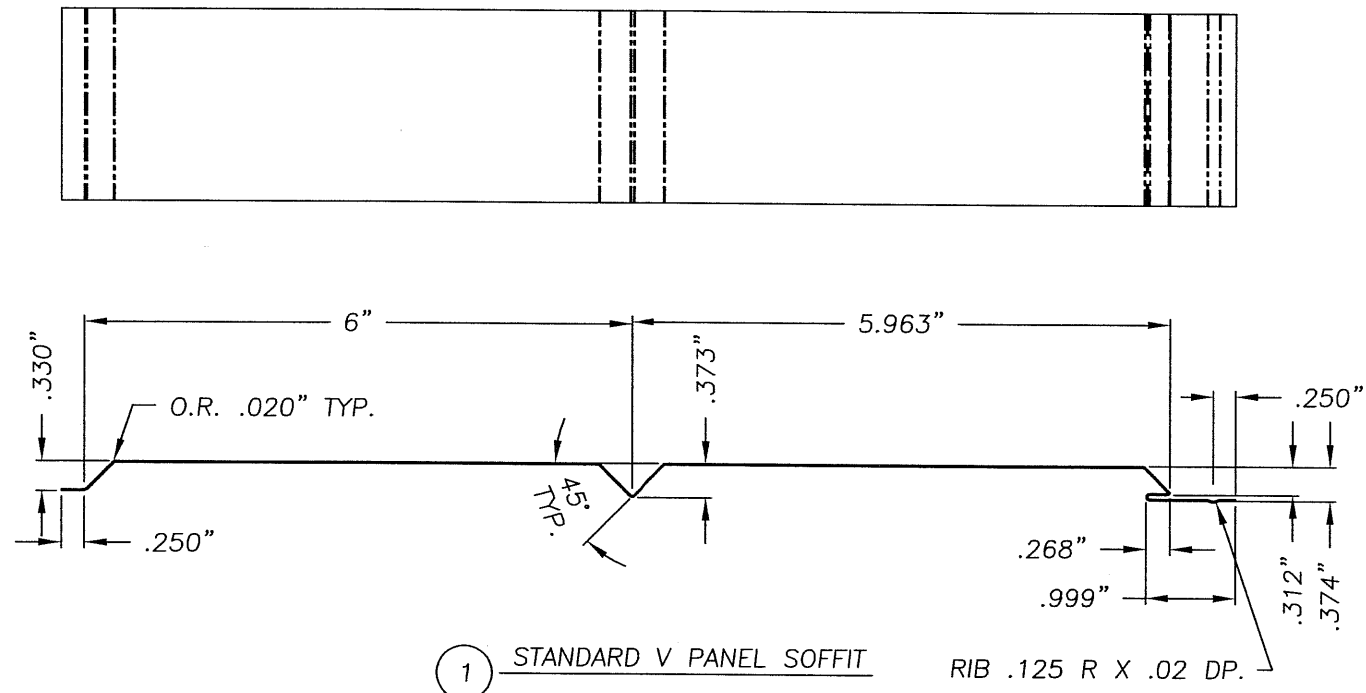
ITEM	DESCRIPTION	MATERIAL
1	STANDARD V PANEL SOFFIT .017" THK. ALUMINUM 6063-T6	ALUMINUM
2	STANDARD PERFORATED V PANEL SOFFIT .017" THK. ALUMINUM 6063-T6	ALUMINUM
3	STANDARD "J" CHANNEL .0175" THK. ALUMINUM	ALUMINUM
4	11GA. x 1" LONG ROOFING NAIL WITH 7/16" DIA. HEAD	STEEL
5	#8 x 1" PFH SMS	STEEL
6	2" x 2" BATTEN STRIP (SPRUCE - PINE - FIR OR BETTER)	WOOD



3 STANDARD "J" CHANNEL



VIEW A - A  
PERFORATION DETAIL  
2X SCALE



Documents Prepared By:  
**RW** BUILDING CONSULTANTS, INC.  
 P.O. Box 230 Valrico FL, 33595  
 Phone No.: 813.659.9197  
 Florida Board of Professional Engineers  
 Certificate Of Authorization No. 9813  
*Wendell W. Haney* 11-18-05  
 Wendell W. Haney, R.E. No. 54158

PRODUCT:  
 AMERIMAX HOM PRODUCTS INC.  
 STD. V PANEL & PERFORATED V  
 PANEL ALUMINUM SOFFIT  
 PART OR ASSEMBLY:  
 BILL OF MATERIALS &  
 COMPONENTS

NO.	DATE	BY	REVISIONS

DATE: 11/18/05  
 SCALE: N.T.S.  
 DWG. BY: EW  
 CHK. BY: WWH  
 DRAWING NO.: FL-676  
 SHEET 5 OF 5