

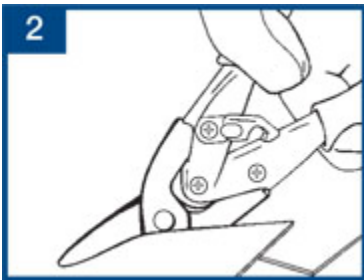
DIAMOND Gutter Shield™

Installation Instructions

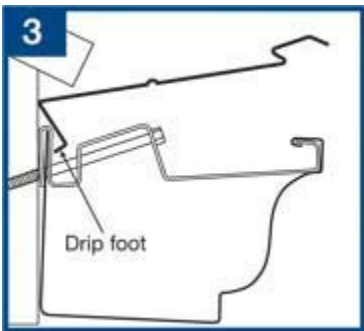
Optional Tools Needed: Ladder, Safety Goggles, Gloves, Tin Snips & Metal Bending Tool



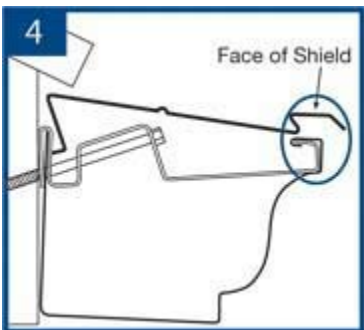
- Ensure gutter system is clean and free of debris
- Inspect gutter hangers, ensuring:
 - tightly fastened to fascia and attached to gutter
 - minimum one hanger every 24 inches



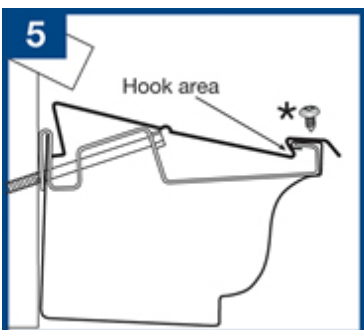
- Install first Diamond Gutter Shield® at beginning of gutter run
- Measure 2 inches from end of Shield
- Cut and remove a notch from front and back edges
- Cut a line 2" long down the center of rib
- Bend remaining 2 inch flap 90 degrees to create an end cap
- See illustrations #6 and 8 for details



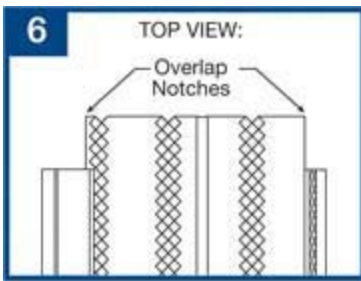
- Insert Drip Foot (back edge) of Shield onto gutter hangers
- Ensure Drip Foot engages fully, sitting snug to back of gutter



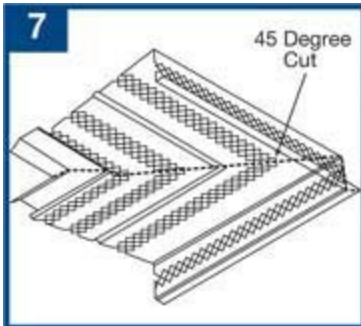
- Lower the face of Shield onto the top of the gutter
- Shield should be approximately 1/4" longer than inside face of gutter
- See circled portion of illustration #4



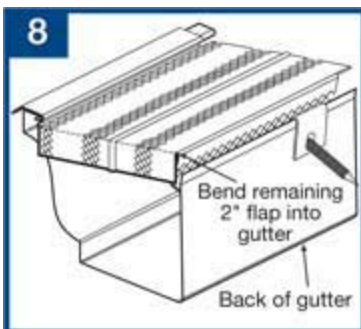
- Flex the Shield slightly inward and engage front edge of Shield inside gutter lip
- The flex will create a snug Pressure Fit with gutter lip
- *Option for high wind areas - add 1/4" galvanized screw through punched holes



- When installing each additional section, be sure to overlap the notched areas completely with previous section
- Overlapping each Shield section keeps debris out and adds support to the completed Shield system

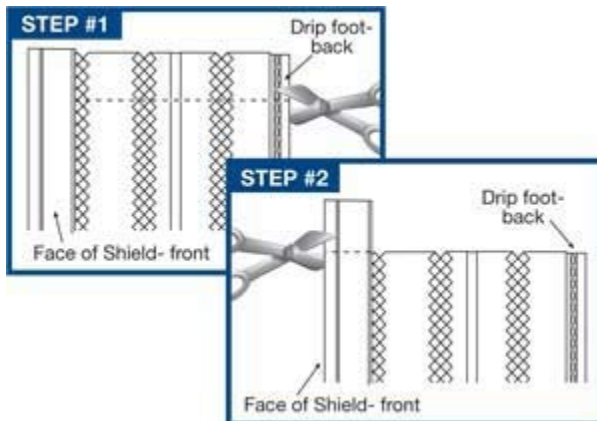


- Gutter system corners require a butted mitre joint
- Measure from back corner of gutter system to ensure correct length
- Cut a 45 degree angle from the Drip Foot (back of Shield) to the Drip Lip (front of Shield), careful not to distort the profile of the Shield



- At the termination end of the Shield system, you will need to cut and remove a 2 inch section of the Shield's face (as in #2)
- Cut a line 2" long down the center of rib as shown. Bend these 2 inch sections downward at a 90 degree angle as shown to overlap and create a cap to the end of the system

Cutting Instructions



STEP #1: When cutting Shield sections, start from Drip Foot (back) and cut towards the hook area. Stop cutting before the hook.

STEP #2: Begin second cut on Drip Lip (front edge). Stop cutting when you reach hook area.

STEP #3: Hook area is now the only attached portion. Gently bend this portion back and forth until section separates. This method ensures the hook area maintains its profile and proper function.

**Areas which fall within 50 miles of the coastline are required to use fasteners attached into the Shield's Drip Lip to engage the top of the gutter (as shown in #5 above). Pressure Fit Technology testing has passed independent testing over 75 MPH, or a Low Velocity Hurricane Rating only.*

