

Gutter Shingle

Helps Keep Leaves and Debris Out of

- Fine mesh screen helps keep out small debris
- Textured paint blends with the shingles
- Contractor quality with easy installation
- Will handle vast amounts of rainfall*
- Can be installed on any pitch roof

*A small section of 1/4" mesh gutter guard (Lock-On or Hinged) may be required in the gutter where the roof valleys flow into the gutter and where upper roof downspouts flow into lower gutter.

Installation

The Gutter Shingle installation may vary depending on how the gutters are installed.

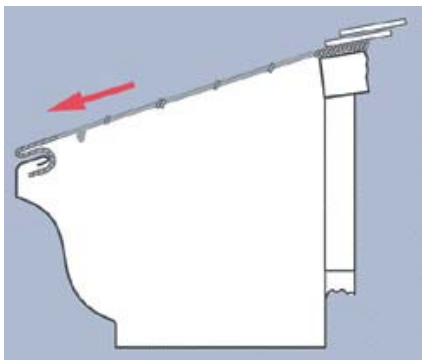
Tools that may be required:

- Tin snips or hacksaw to miter cut corners and cut pieces to length.
- Pliers may also be needed to bend the lip of the gutter around the gutter spikes.
- Power screw driver (Some installations may require fastening to lip of gutter).



(Fig. A)

1 First, do a good job cleaning the gutters and downspouts. To assure the downspouts are clear of debris, run a hose in the gutters and check the water flow at the bottom of all downspouts. The water should flow out without any backup in the gutter.



(Fig. B)

2 Starting at one end of the gutter, slightly lift the first row of shingles and slide the back edge of the gutter cover under the shingles (Fig. A), then pull the front edge of The Gutter Shingle forward so that it clips to the front edge of the gutter. (Fig. B)



Gutter guards

are installed on rain gutters to help prevent leaves, twigs and other debris from falling into the gutters and clogging both the gutters and downspouts.

Obstructed gutters and downspouts will prevent rain water and melting snow from flowing through the gutter system.

Water that cannot flow freely can back-up and overflow the gutter causing damage to the landscaping and the foundation.

Damage to the roof line and the fascia board may also occur if water gets behind the gutter.

See the full line of Amerimax rain carrying products at a home center, hardware store or wholesale distributor near you.

Gutter Shingle Installation

Continued.

Note: If there is not enough space between the gutter lip and spike, you will need to bend the lip up a little or pinch the lip closed to allow the clip to fit over the lip. (Fig. C)

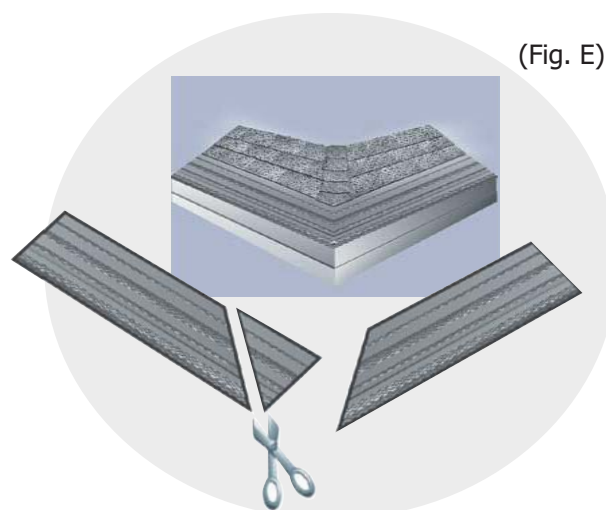
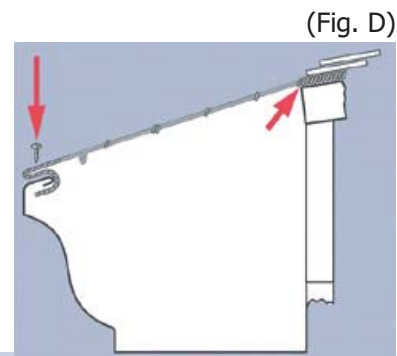
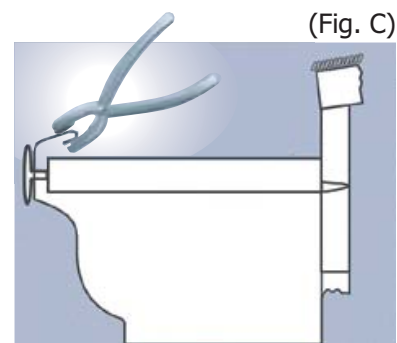
3 If the roof shingles do not cover the back edge of gutter cover by at least one inch, it will be necessary to screw The Gutter Shingle to the front of the gutter using a sheet metal screw. (Fig. D)

4 Install the next section using the same process as step 2. The notched clip will allow each section to overlap creating a seamless run of The Gutter Shingle.

5 To fit outside corners, miter cut opposite ends of the two adjoining pieces to form a corner point (Fig. E).

Note: To get an accurate cut, you should mark the cut with The Gutter Shingle in place on the gutter and roof. This will give the proper angle to miter cut each section.

6 For inside corners, a small section of 1/4" mesh gutter guard (Lock-On or Hinged) may be required.



Applying Gutter Shingles to outside corners.